

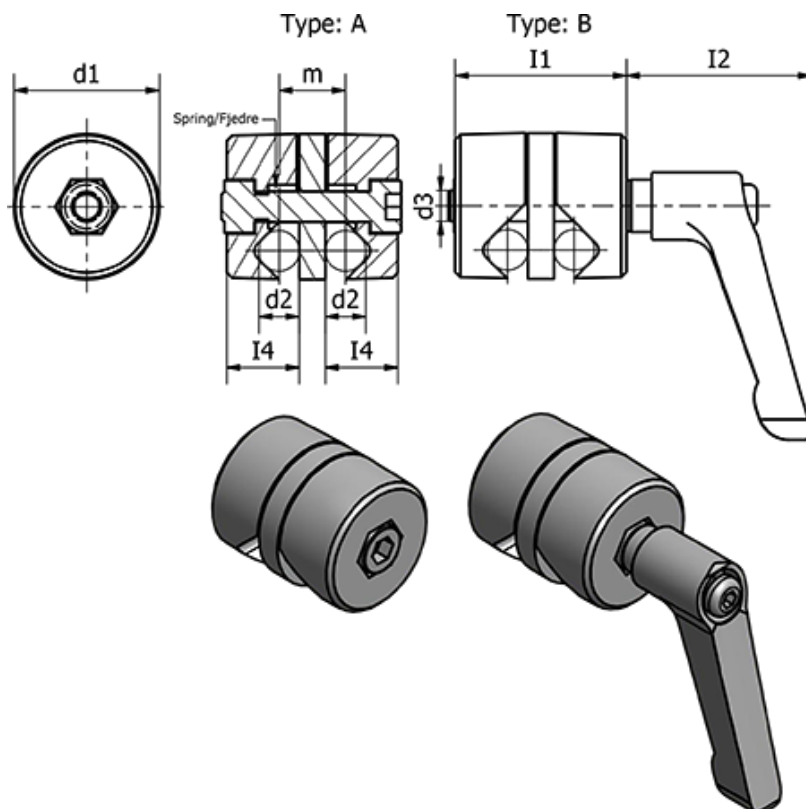
Data Sheet



Article number: 204904616AMT

Description: E+G Clamp mounting - GN 490-46-16-A-MT

Measures



d1 = 46

d2 = 16

d3 = M10

I1 = 57

I2 = -

I3 = -

I4 = 27

I5 = 6

m = 22

Weight (g) = 224